

KIOSK M-102

The M-102 automatic check-in kiosk is an advanced solution for streamlining user registration in various environments.

Made of steel and equipped with a 21.5-inch touchscreen, it offers a clear and user-friendly interface to facilitate check-in. The QR code reader allows quick scanning of reservations and electronic documents, while the ID scanner verifies passports or IDs for accurate validation.

It includes an integrated payment terminal, enabling direct and secure transactions for additional fees. The ticket printer provides instant receipts, efficiently completing the check-in process.

Its robust and functional design makes it ideal for airports, hotels, and events, optimizing the user experience by reducing wait times and offering a reliable, self-service solution.



ID/passport scanner



QR reader



Webcam



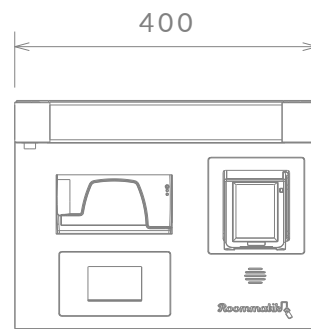
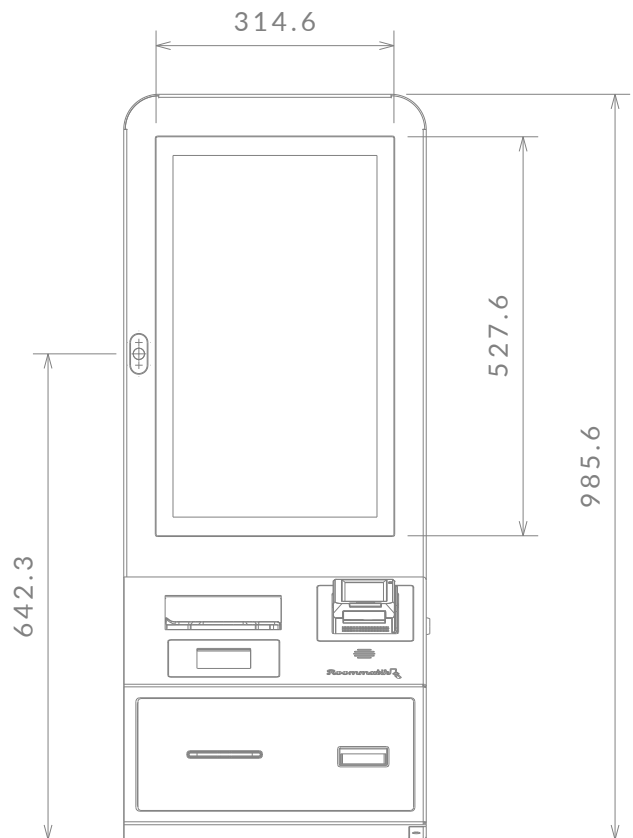
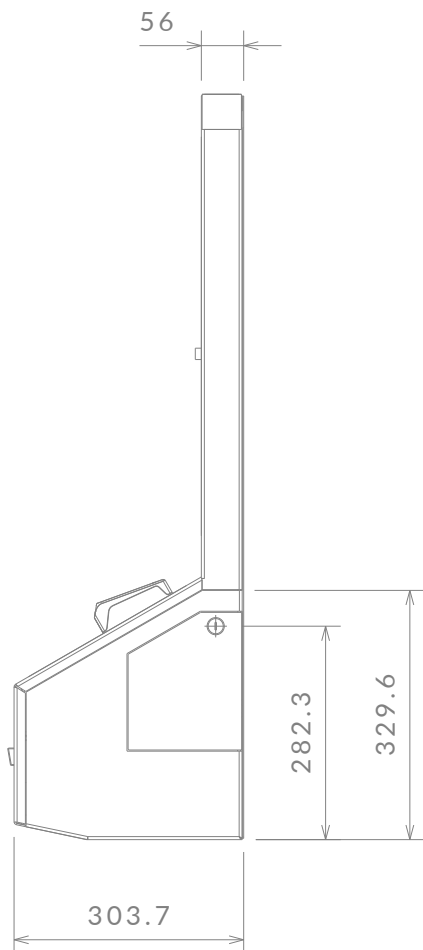
Credit card reader







RFID card dispenser



Tickets printer



KIOSK M-102 main dimensions

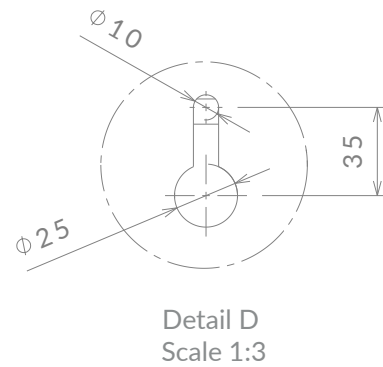
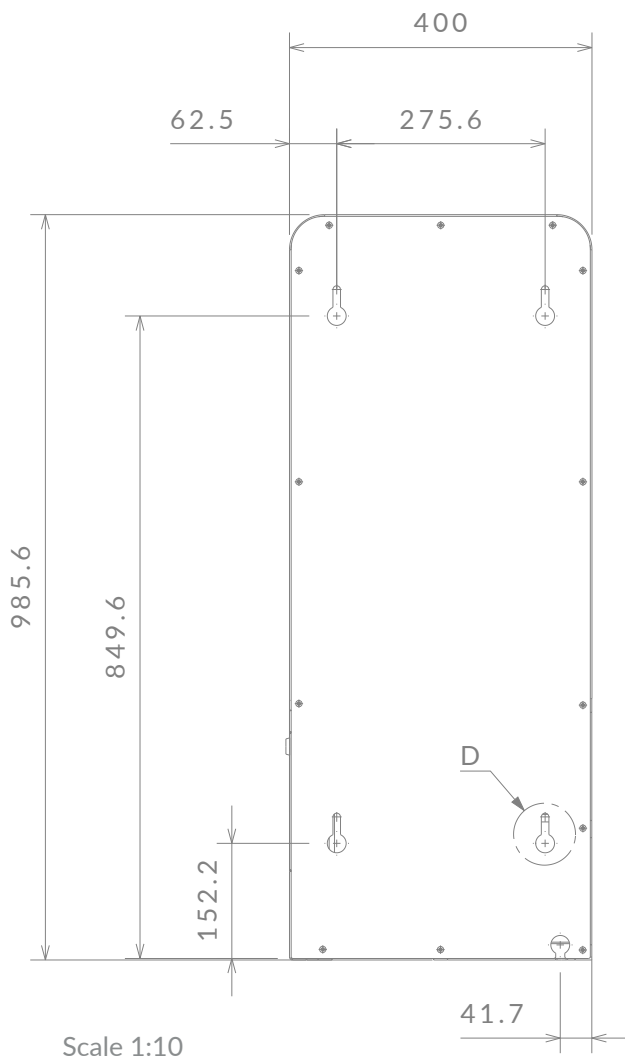
-  Scale 1:10
-  2 mm steel structure
-  21.5" screen
-  Weight: 35 kg

KIOSK M-102 SETTING

This kiosk is designed to be wall-mounted, but it can also be placed on the floor with the accessory stand.



INSTALLATION SPECIFICATIONS



- The structure should be mounted to the wall using four fasteners.
- Tighten the two lower fasteners through the accessible space by opening the front door.
- Leave at least 30 cm of space to the right of the kiosk to ensure proper opening and access to the right side door.

OUTDOOR INSTALLATION

- Make sure that the Roommatik kiosk you have purchased is compatible for outdoor installation and has the appropriate anti-corrosive protection based on the type of environment at the installation site. If in doubt, please contact your sales agent.
- The kiosk must always be protected from heavy rain and direct sunlight, ensuring that no water enters through the slots. You can protect it by installing a roof, canopy or similar structure above the kiosk and on its sides, or by creating a wide opening in the installation wall.
- If at any time during the day the temperature inside the kiosk exceeds 45°C/113°F, it will be necessary to install a small additional cooling unit.
- If at any time during the day the temperature inside drops below 0°C/32°F, it will be necessary to install a small additional heating unit inside the kiosk.